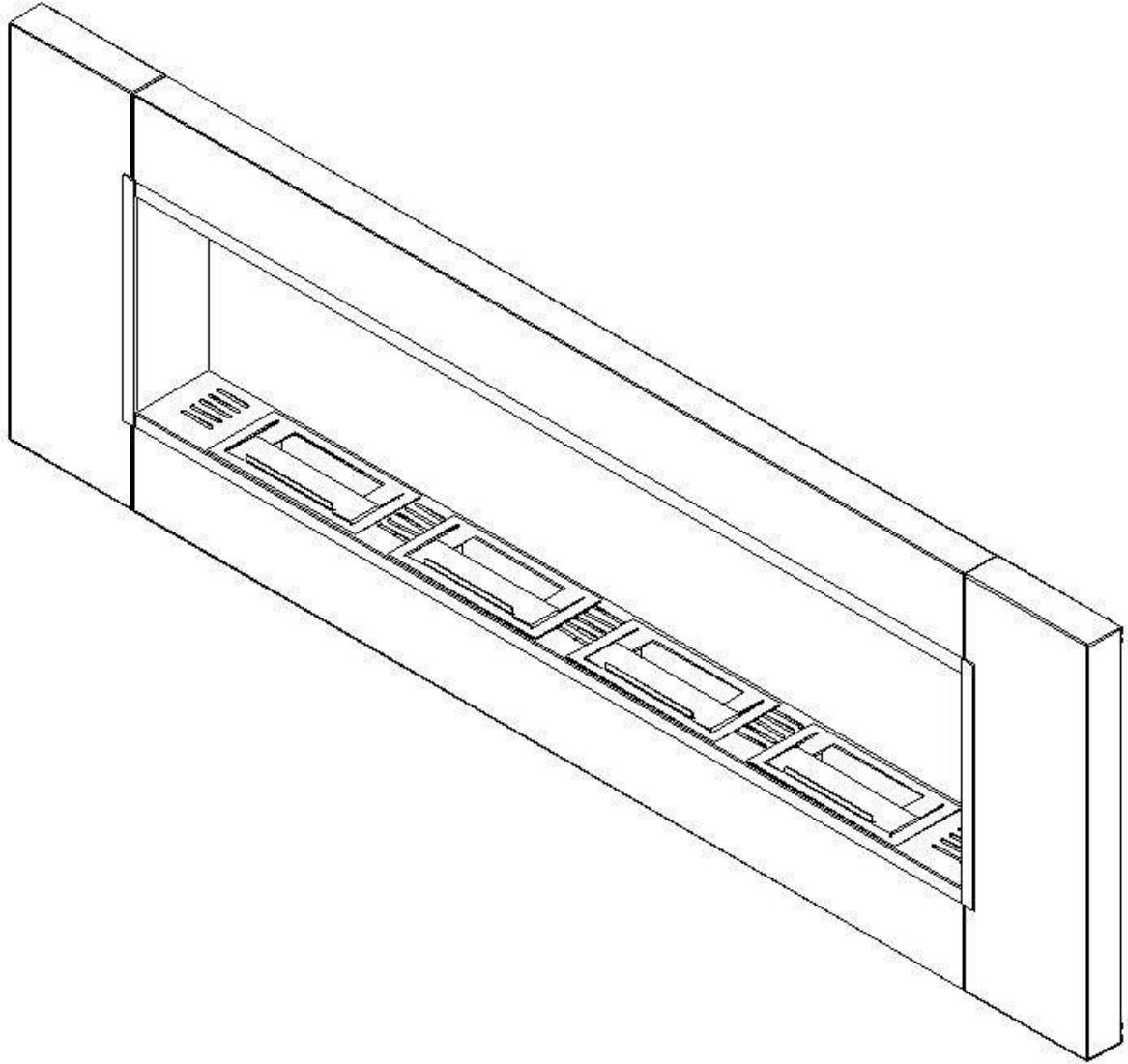


Manual

GB



# WARNING!

## For your safety

PLEASE READ THIS MANUAL CAREFULLY BEFORE USING THIS  
FIREPLACE!

**Warning: The appliance couldn't been ignite at hot state.**

### Miscellaneous

Congratulations! You purchased a high quality product. For long time enjoyment with this fireplace without a chimney please read the following operation- and safety instructions carefully.

### Safety instructions

#### *Positioning*

- Please remove all packing- and information material before starting the assembly.
- This fireplace without a chimney is not suitable as a heater.
- Please only attach this fireplace to a solid and fireproof wall since it produces waste heat.
- Please take care for installing the firing chamber **100% water level**; you can check it with a water-level.
- Make sure that the fireplace is well attached to the fire resistant wall so that it cannot move during use.
- The distance to the floor as well as to other **objects** must be at least 60 cm.
- The room, where you want to install the fireplace must have a volume of at least 688m<sup>3</sup>. While using it when windows and doors are closed, there must be an air flow of around 0.2n/h. While using it with opened windows, the air flow should be 1n/h and the room volume should be at least 136 m<sup>3</sup>.

- Please avoid air draft in the room where the fireplace is used. It could cause increased flame formation.
- Persons should always keep a distance to the fireplace of min. 50 cm when in use. Not obeying this distance may cause serious injuries.
- Keep easy flammable materials away from the fireplace with a distance of min. 80 cm.
- Never place any flammable **materials or objects** on the fireplace.
- Please read this instruction carefully and keep it for further reference.
- Please follow the local fire protection regulations for the installation.
- Never use more than one fireplace per room.
- Please follow national and international regulations for the installation and operation of this fireplace.

#### Operation of the fireplace

Fireplace without a chimney **are run exclusively with gel or bio ethanol.**

**Please only use high quality fuel with min. 96.6% alcohol. Never use other substances.**

- Never fill in more than 0.4 litres into the fuel reservoir. You can check the max. capacity of 0.4 litres at the check mark in the inner side of the reservoir.
- Please use matches or lighters with a long neck for ignition of the fuel. Please keep a proper safety distance. Never fire the burning chamber when fuel reservoir is filled up with more than 0.4 liters.
- Only fire the burning unit when it is assembled.
- **If the fuel does not ignite after three unsuccessful attempts, please wait for 1 minute and try again afterwards.**
- **Never pour gel or bio ethanol into the burning fire.**
- In order to avoid an automatic ignition of the **fuel** by getting in contact with hot components, please wait for min. 20 minutes between extinguishing of the fire and refill of the fuel reservoir or ignition of the fire again.

- During the use, the fireplace will become very hot. Do not touch the fireplace while in use.
- Never try to transport or move the hot fireplace. The metal parts of the fireplace become very hot and partly sharp-edged.
- Always let the **fuel burn** until the reservoir will be completely empty and the fire will extinguish automatically. If you want to extinct the flames before the fuel reservoir is empty, close it completely. Check afterwards, if the flames are really extinguished.
- Safety instructions for **the fuel**

*Operation intruction:*

**Never pour fuel into open flames!**

Refill only in cooled condition.

Refill the reservoir without spilling.

**Remove spilled fuel first.**

Only ignite with a long lighter.

**Properly ventilate the room where the fireplace is used.**

**Store fuel in a cool place, apart from heat sources.**

*Warning*

Easy inflammable

Keep away from children.

Keep container closed tightly.

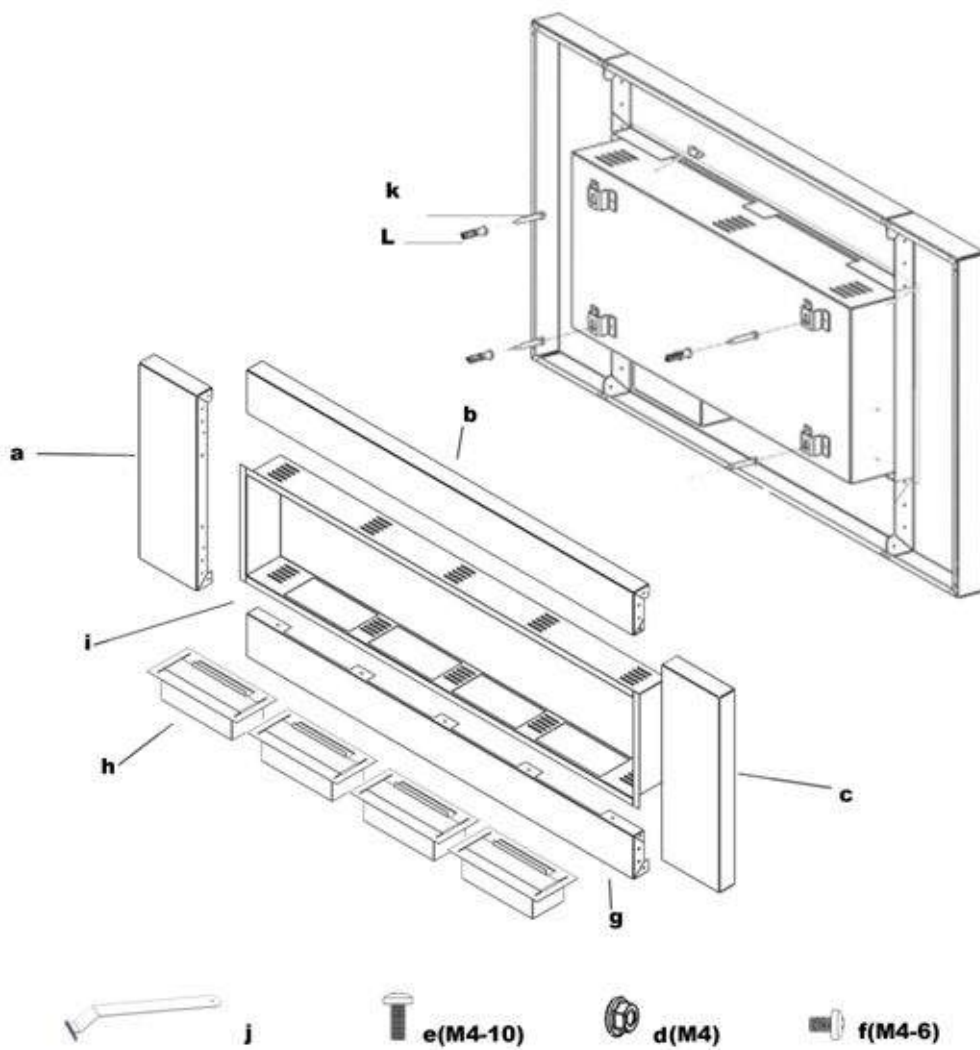
Keep away from fire – do not smoke.

Immediately consult a doctor in case of swallowing; show packing or label.

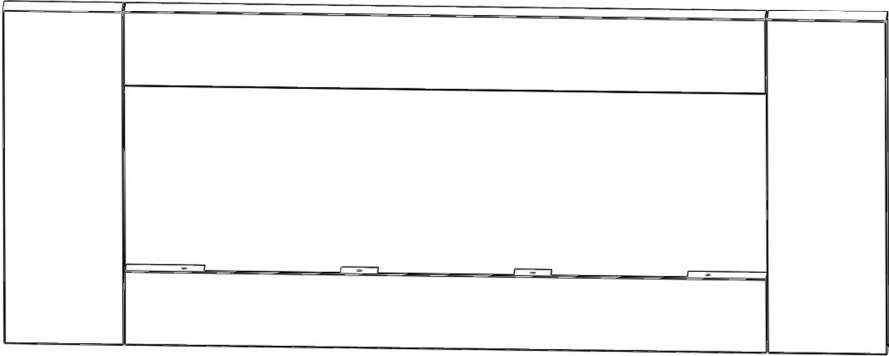
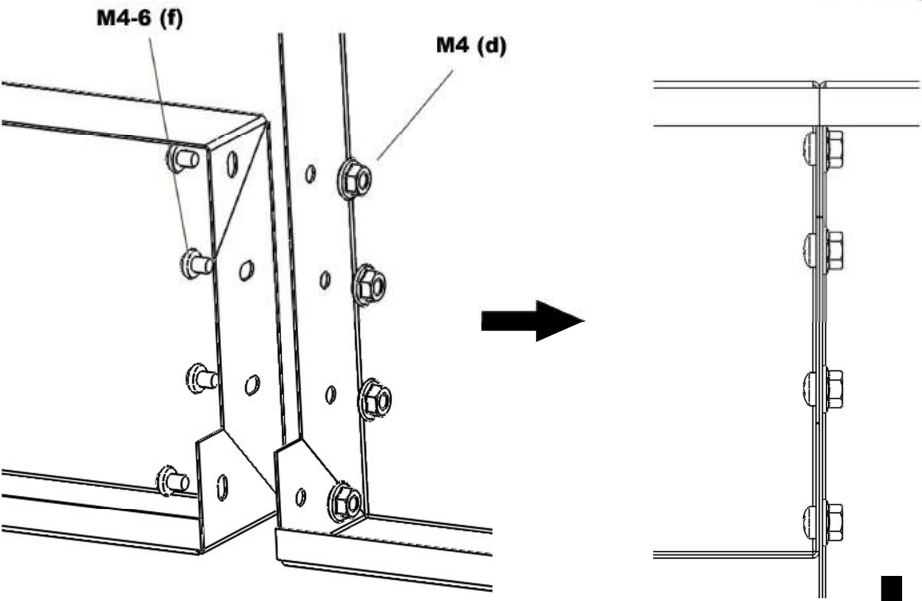
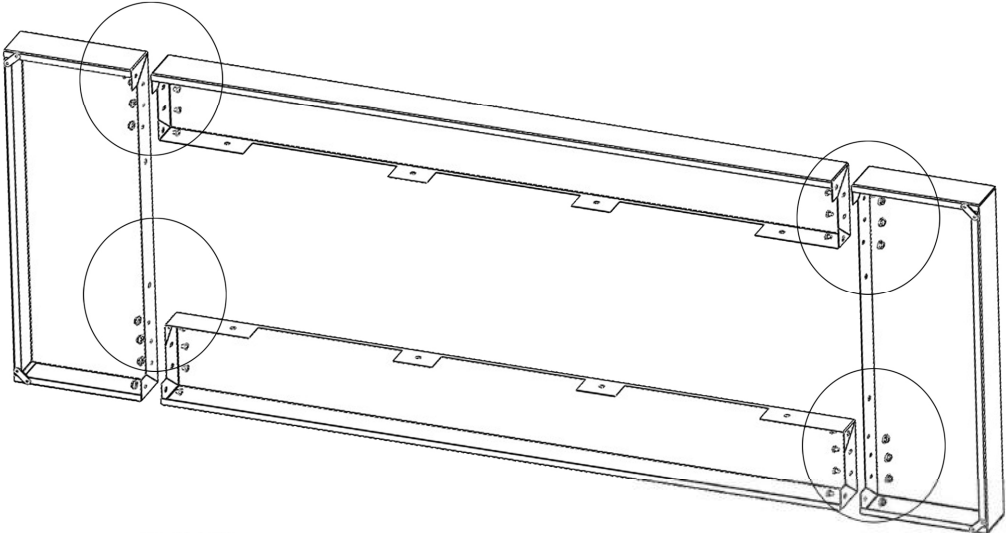
Not suitable for human consumption.

Warning from danger

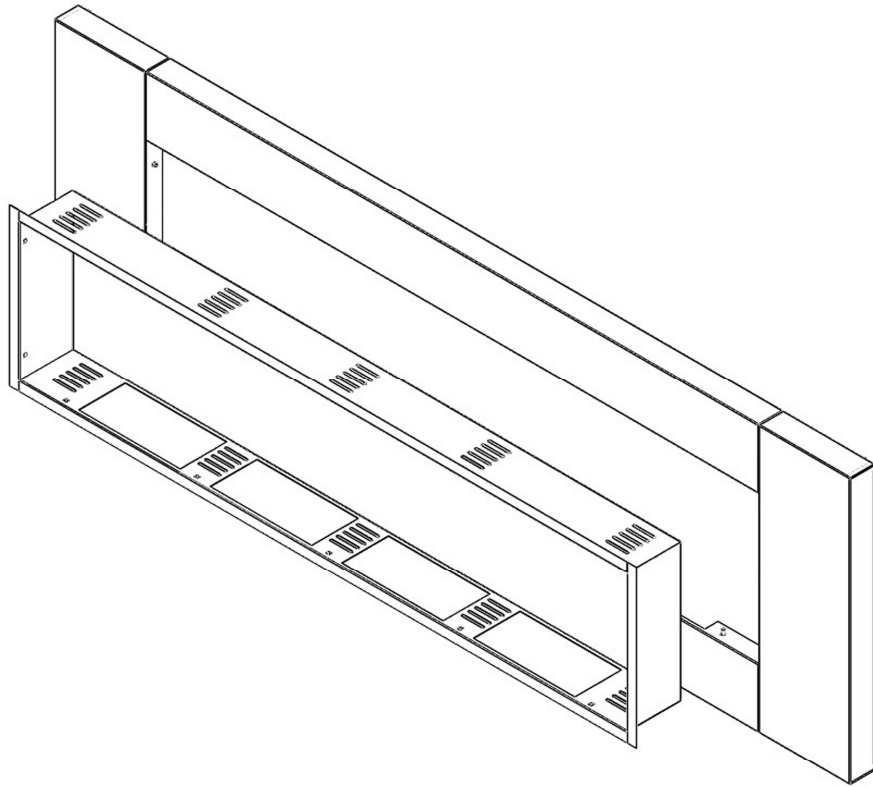
- Never **adjust** the fireplace unauthorized.
- Avoid any **air flow** in the area of the flames, they could increase through **airflow**, blow-dryer, etc; big risk of burns exist.
- Make sure not to spill any **fuel** when refilling. In case of spilling, please clean up properly until **it is dry** and let leftovers **evaporate completely**. Do not operate the fireplace until the spilled combustible is not dried completely. You may also remove the leftovers with clear water to avoid the ignition of **fuel** outside of the burning chamber.
- Keep a proper safety distance during ignition of the fireplace.
- Never leave the fireplace unattended during the operation and do not let it being operated by children or not instructed persons.



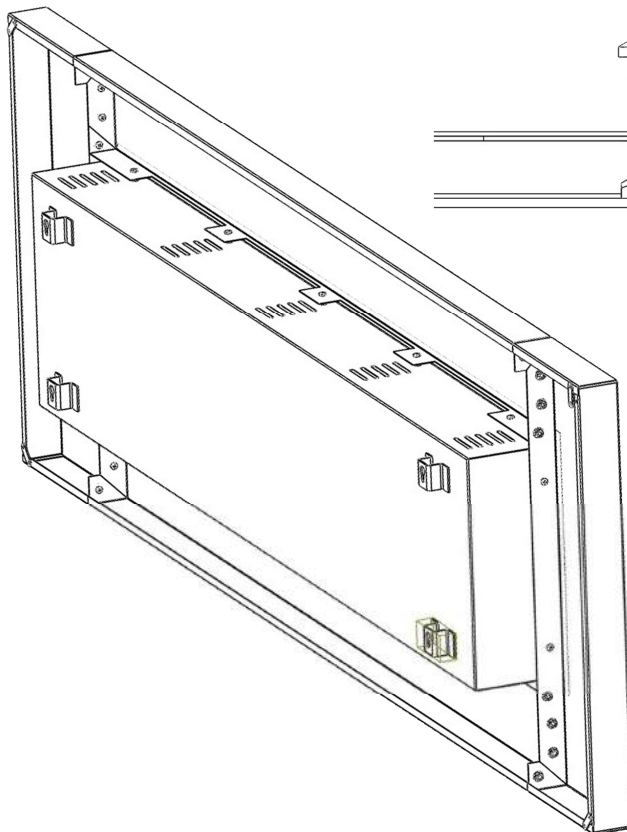
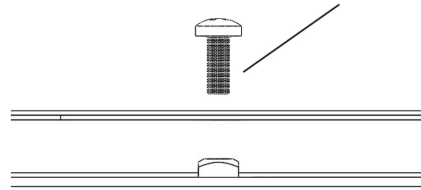
**step A**



**step B**



**M4-10(e)**



**M4-6(f)**

